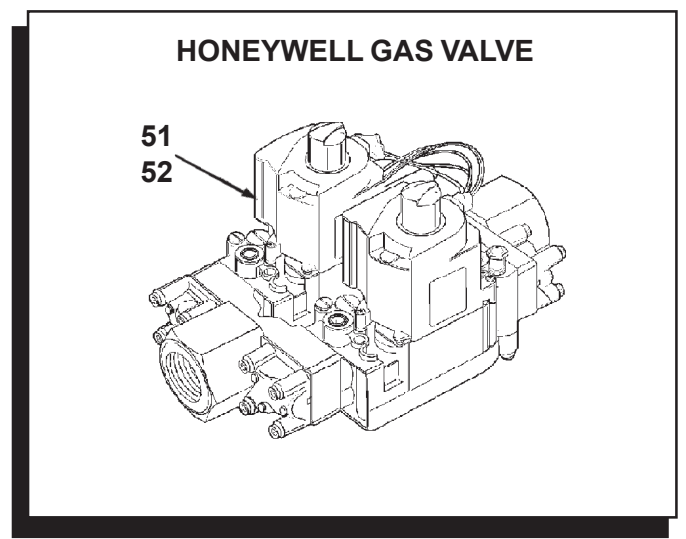
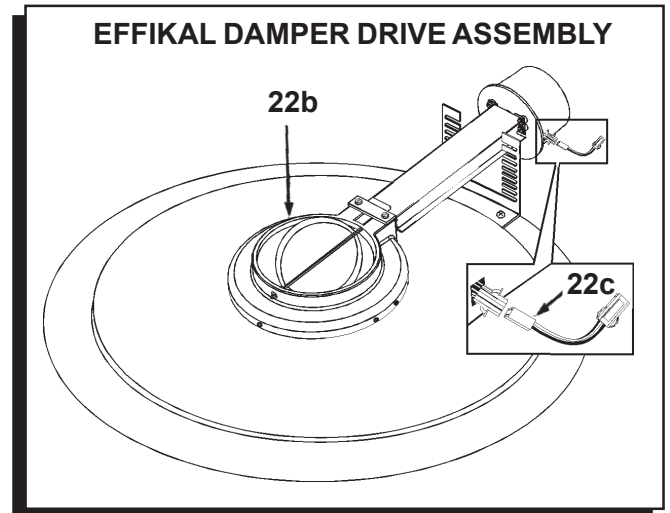
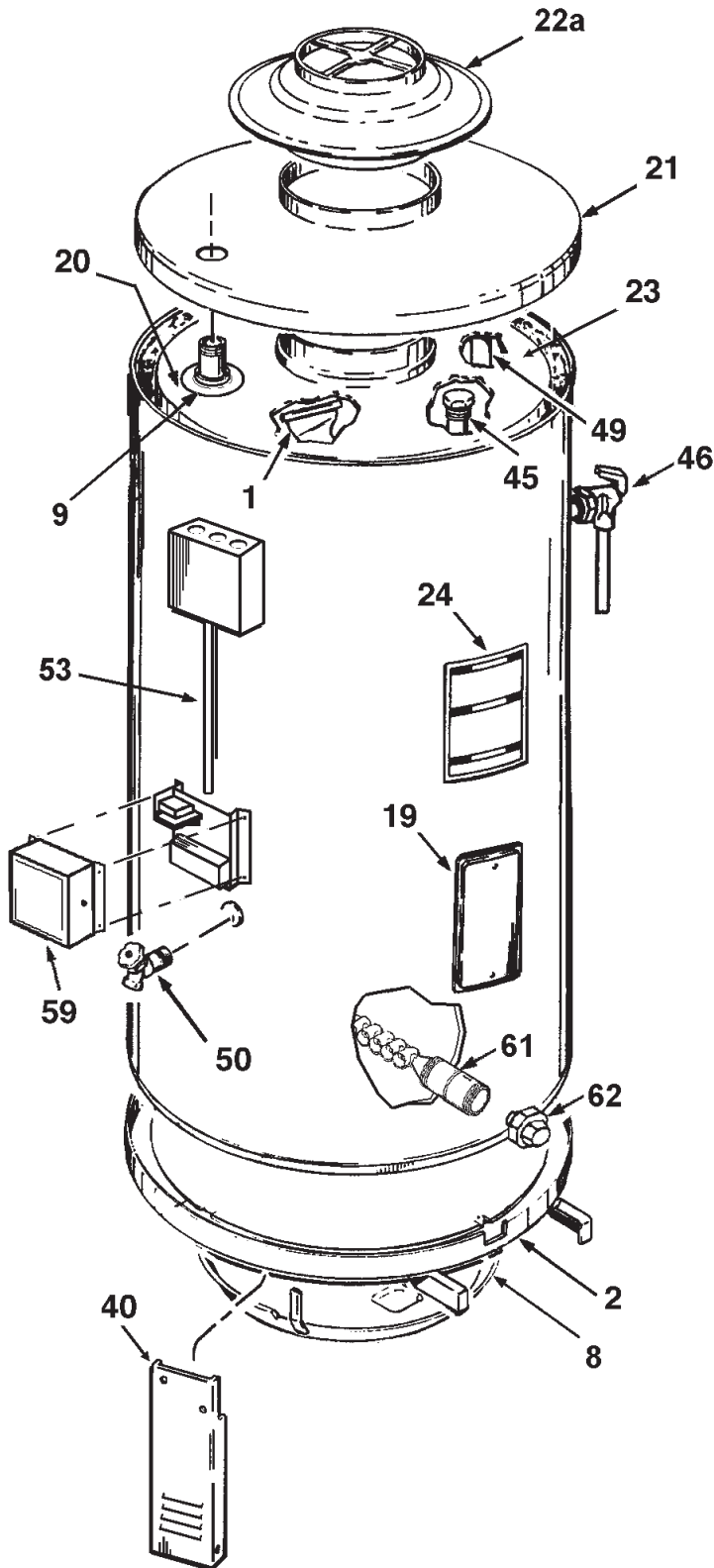
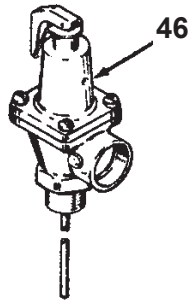
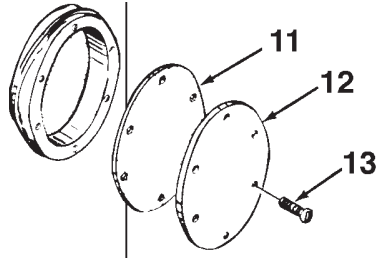


**COMMERCIAL TANK TYPE WATER HEATER  
REPLACEMENT PARTS LIST**

**MODELS BCG3-85T500-8N & ABCG3-85T500-8N**



### CLEANOUT ASSEMBLY



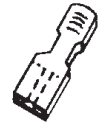
### WIRE TERMINALS



78468

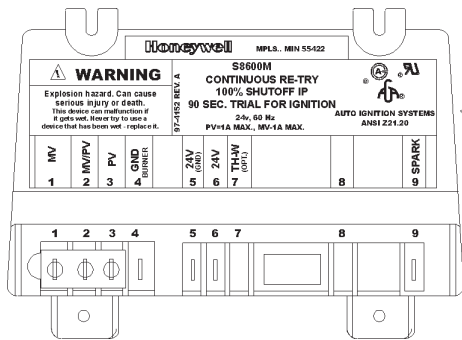


99593(.250 X .032)

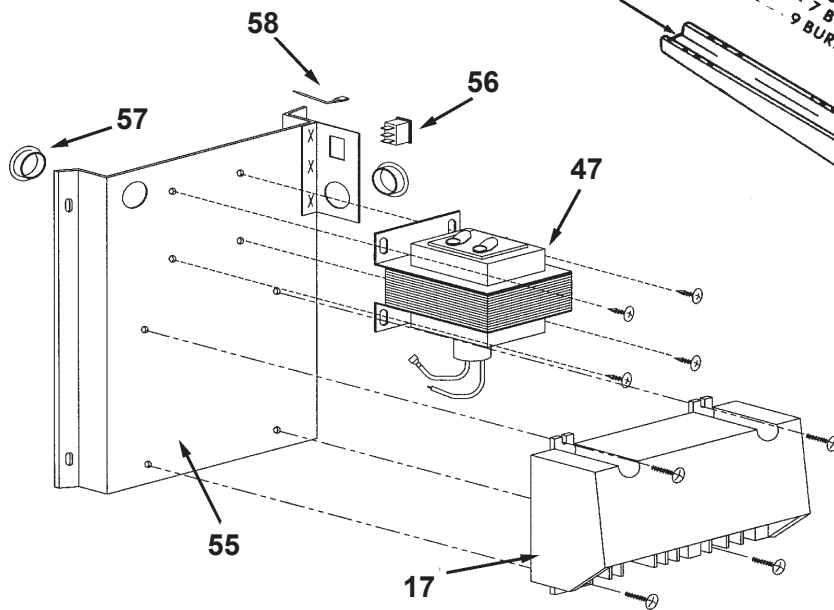
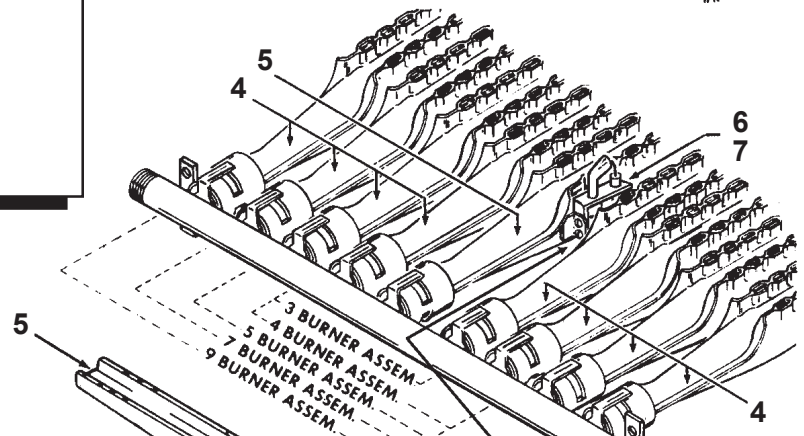
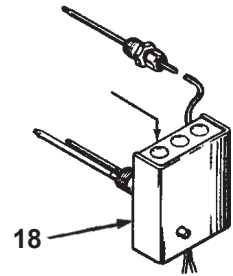
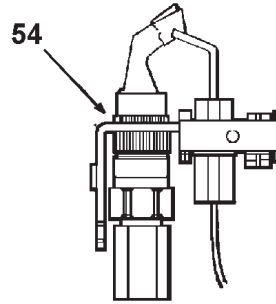


78469 (.250 X .032)  
192834 (.187 X .032)

### HONEYWELL CONTROL IGNITION MODULE



17



47

43  
44

3

41

60

1	Flue Baffle	193995
2	Jacket Base	193986
3	Main Burner Orifice Bracket	098044(9)
4	Main Burner	3192322
5	Main Burner w/Pilot Bracket	193873
6	Pilot Burner, Natural	193314-4
7	Pilot Burner, LP	193314-3
8	Floor Shield Assembly	193984
9	Collar	74060

**CLEANOUT ASSEMBLY**

11	Gasket	99038
12	Pressure Plate	99037
13	Screws, Self Tapping	69852
17	Control, Ignition Module	193325
18	Control, Dual w/ECO	192828
19	Cover, Cleanout	181260
20	Cover, Inner	193608
21	Jacket Cover	97062-7
22a	Drafthood	193891
22b	Damper Drive Assembly	194485
22c	Harness Adapter	194459
23	Top Insulation	192867

**LABELS**

24	L&O Label	194008
26	Cleanout	193914
27	*Bilingual Instruction	193912
28	*Ultra Coat	193860
29	*ECO Instruction	193911
30	*Flammable Vapors	192872
31	*Help Line	190600
32	*Instruction	170345
33	*Master Fit	193859
34	*Pilot	193915
35	*Propane	182572
36	*Relief Valve	200042
37	*Water Inlet	161040-0
38	*Water Outlet	161040-1
39	*Wiring Diagram	193621
40	Leg	194093
41	Manifold	76244-4
42	*Instruction Manual	195779
43	Main Burner Orifice, NAT	76243-28
44	Main Burner Orifice, LP	76243-44
45	Anode Rod	180618-42
46	T&P Relief Valve	192467
47	Transformer	193444
48	*Pilot Tubing	1417-60
49	Inlet Tube	192626
50	Drain Valve	26273-6
51	Gas Valve Natural	193366-0
52	Gas Valve LP	193366-1
53	Wire Conduit	193456-1
54	Ground Wire	77948-7
55	Switch Panel/Mounting Plate	193448
56	Off/On Switch	193243
57	Bushing	193404
58	Jumper Wire	193476
59	Control Box Panel	193447
60	Cover - Burner	194111
61	The Eliminator	195102
62	Galvanized Pipe Union, 1 1/2"	195127

